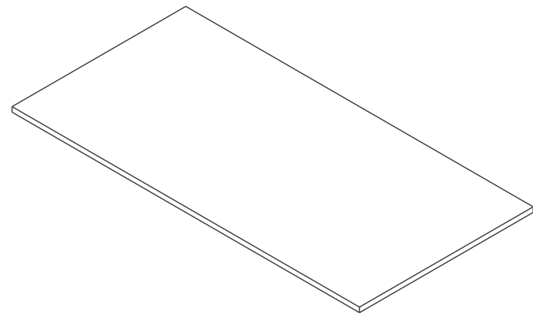


Team 4-Leg Boardroom Table

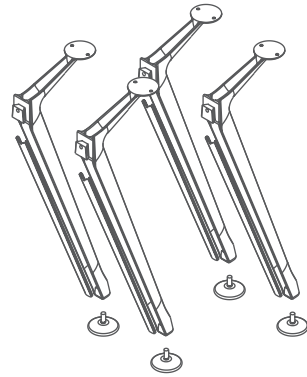
Assembly Instructions

Team 4-Leg Boardroom Table

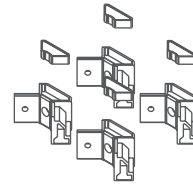
Components List



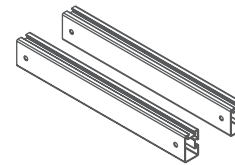
Axis Worktop



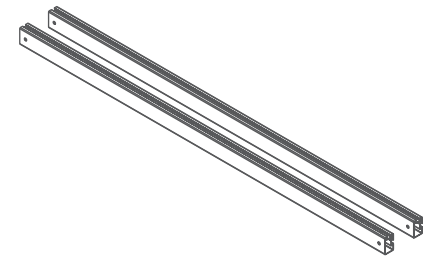
4 x Leg



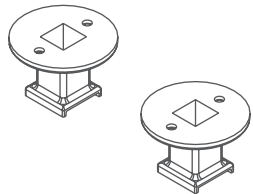
4 x 2-Way Connector
& Cap



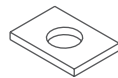
2 x Short Rails



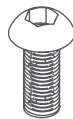
2 x Long Rails



2 x Plastic Bracket



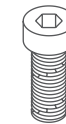
2 - Slot Nut



2 - M8 x 20mm
(Dome head)



8 - M8 x 12mm
(Dome head)

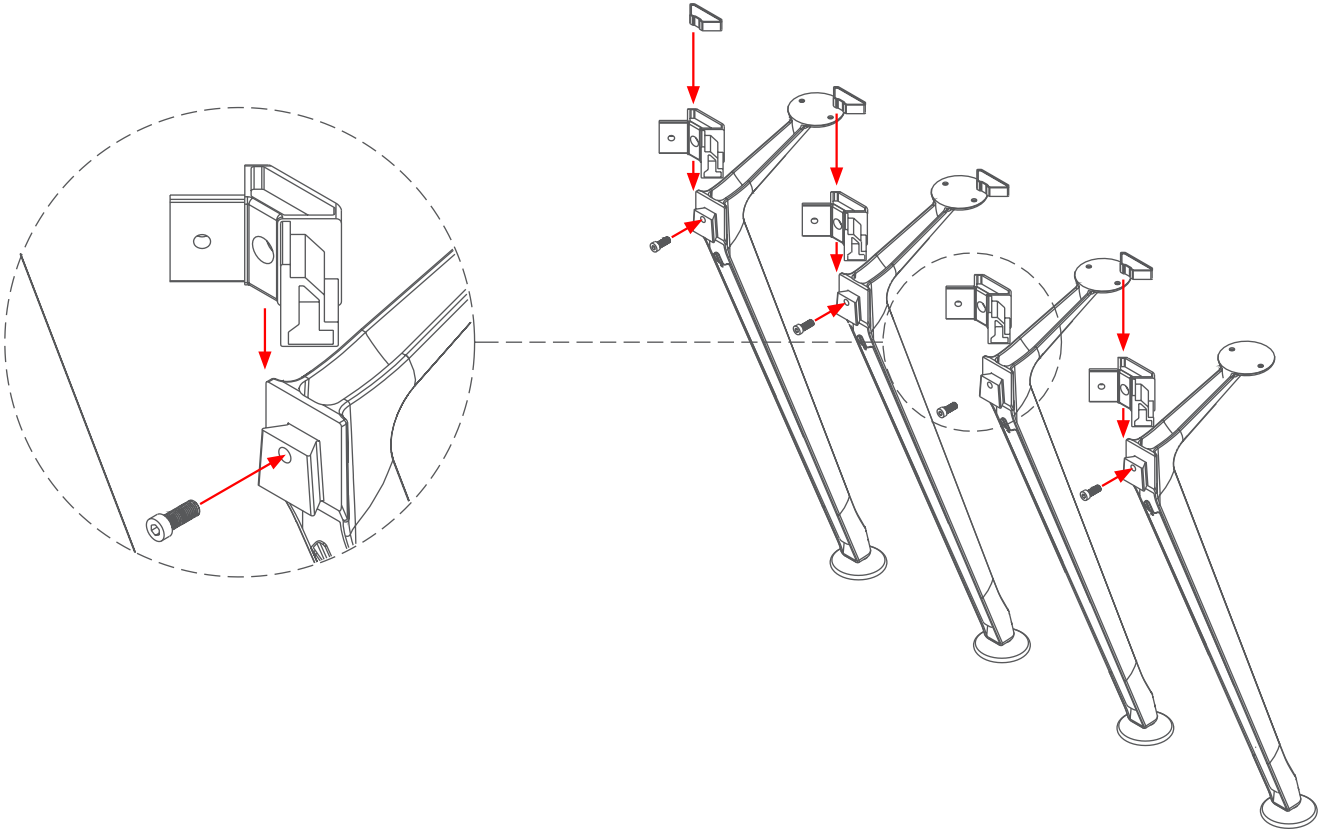
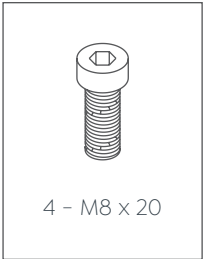


4 - M8 x 20mm
(Cap head)



12 - M5 x 20mm
Self-Tapping

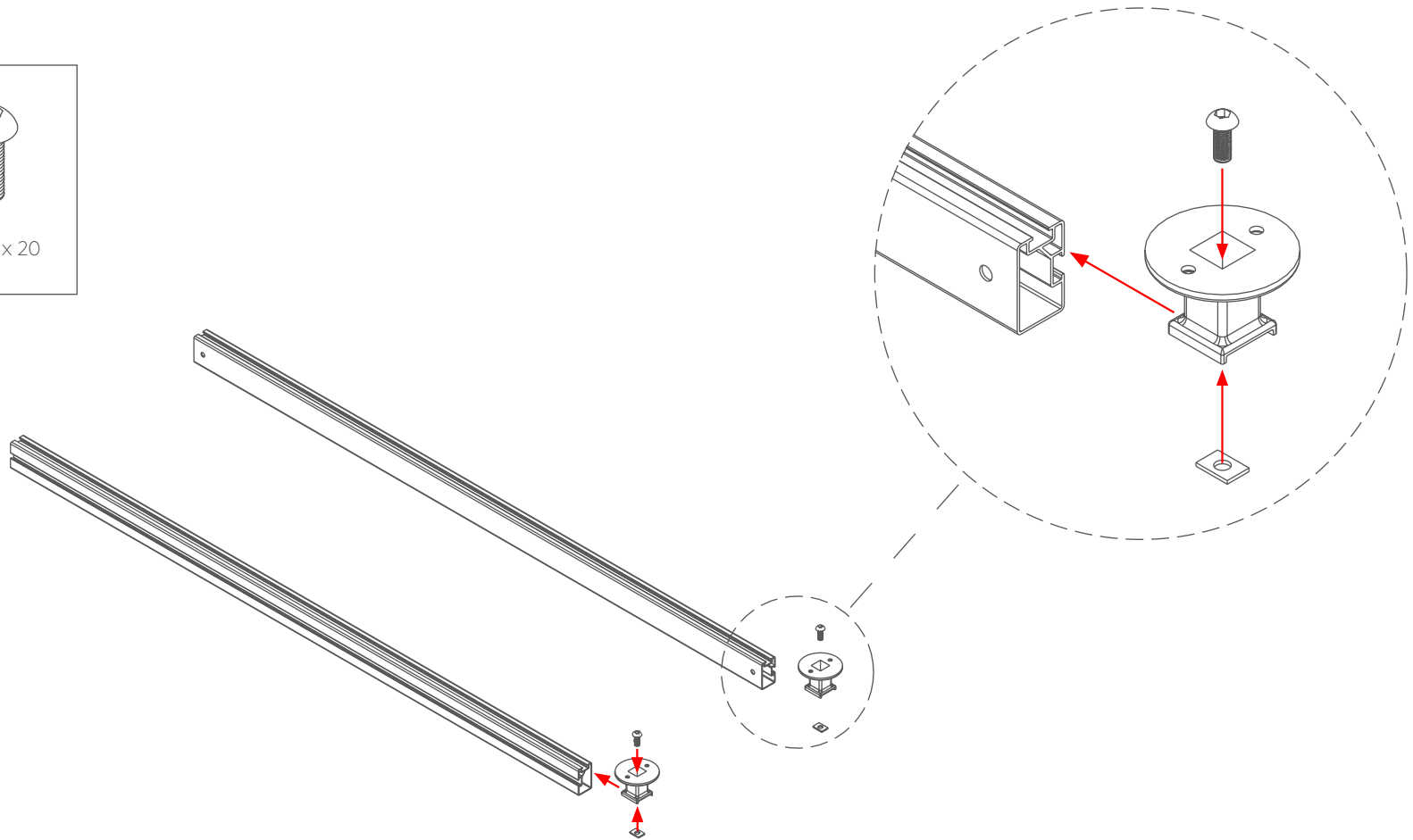
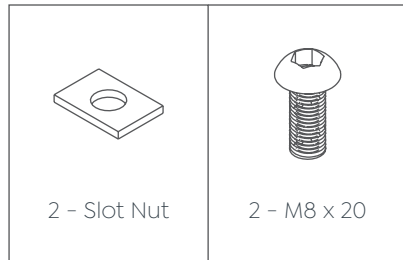
STEP 1:



Team 4-Leg Boardroom Table

Assembly Instructions

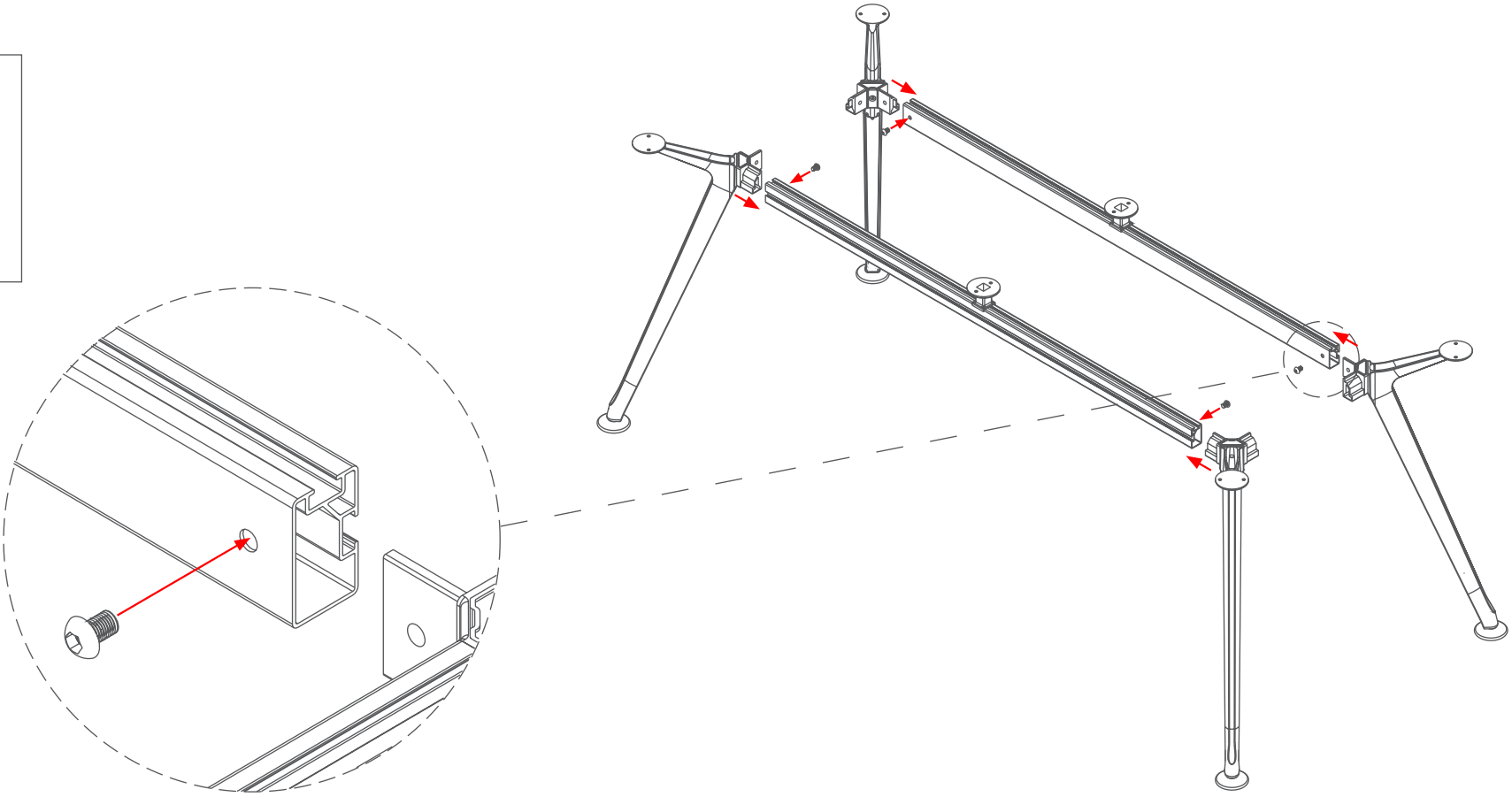
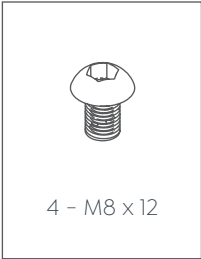
STEP 2:



Team 4-Leg Boardroom Table

Assembly Instructions

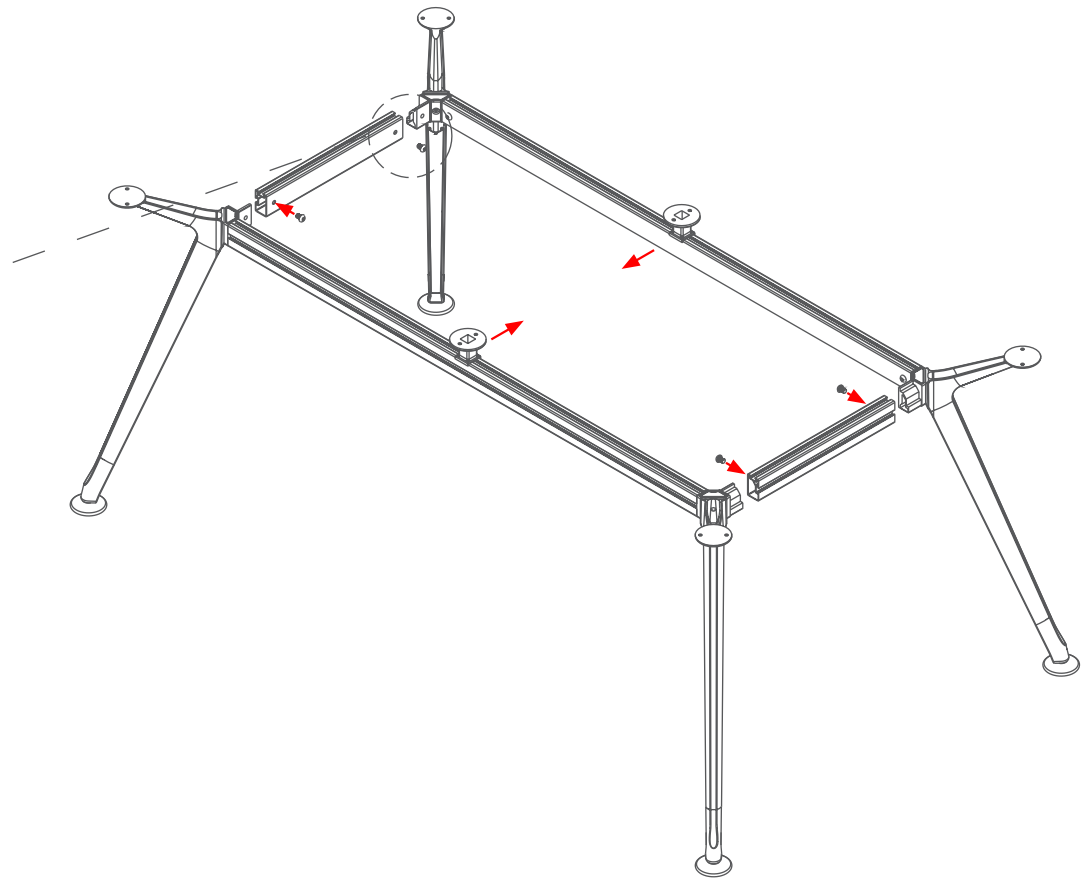
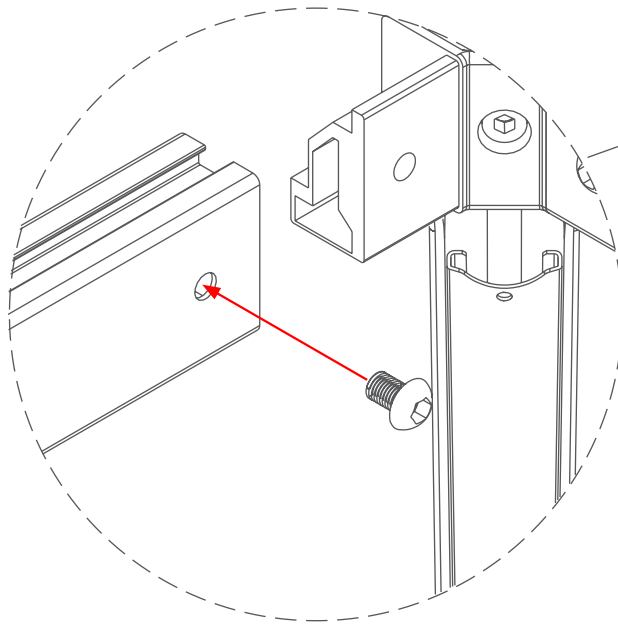
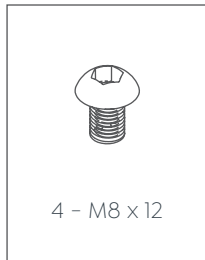
STEP 3:



Team 4-Leg Boardroom Table

Assembly Instructions

STEP 4:



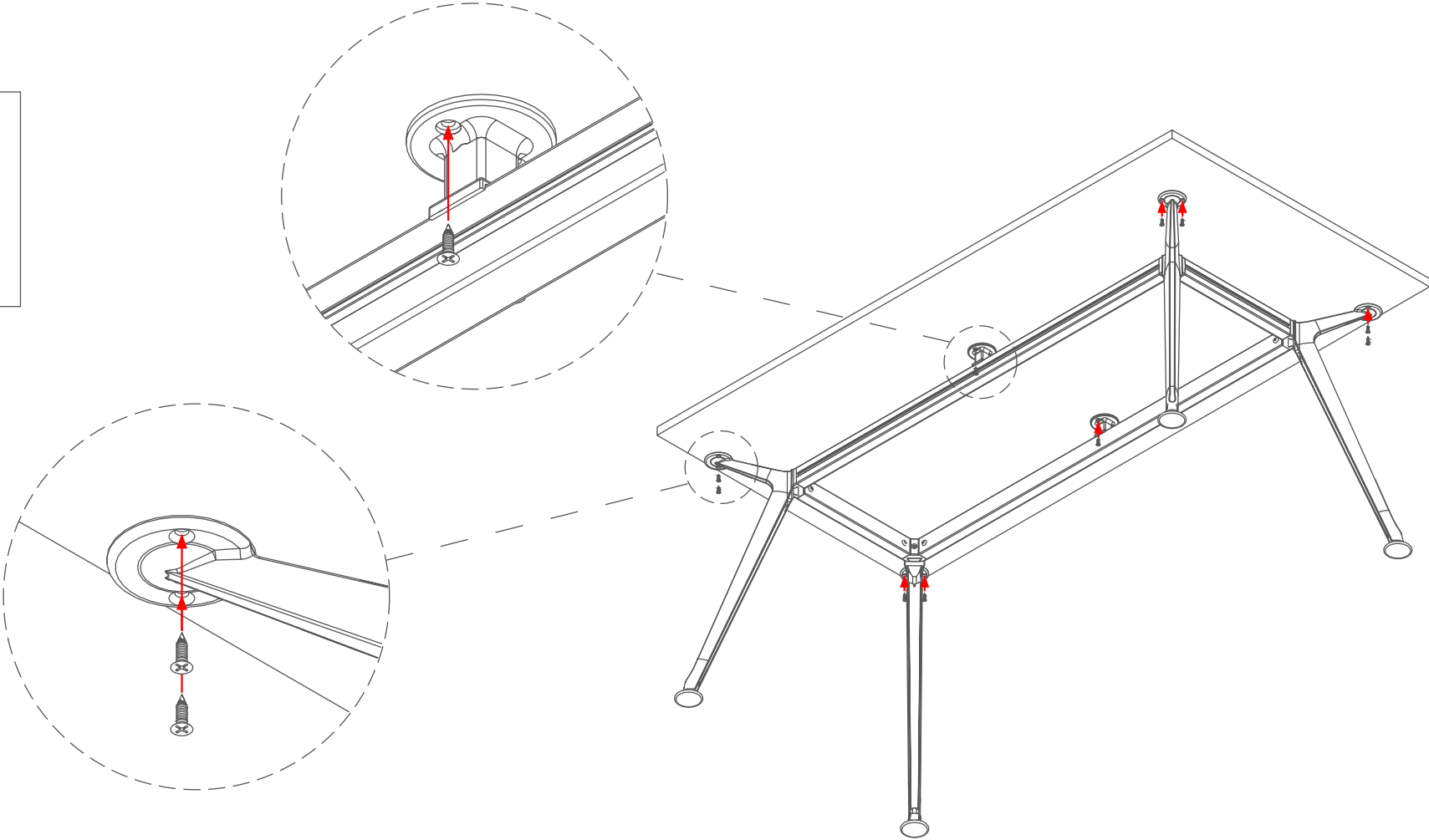
Team 4-Leg Boardroom Table

Assembly Instructions

STEP 5:



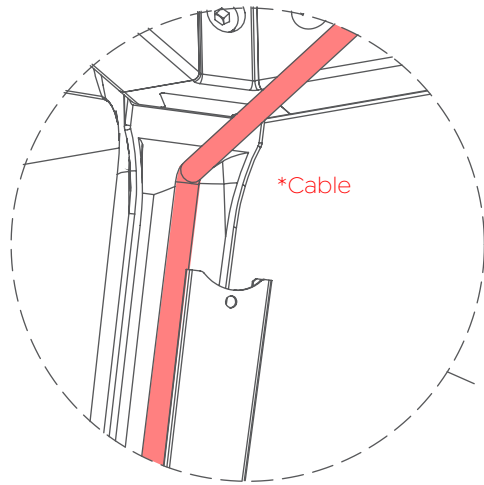
12 - M5 x 20
Self-Tapping



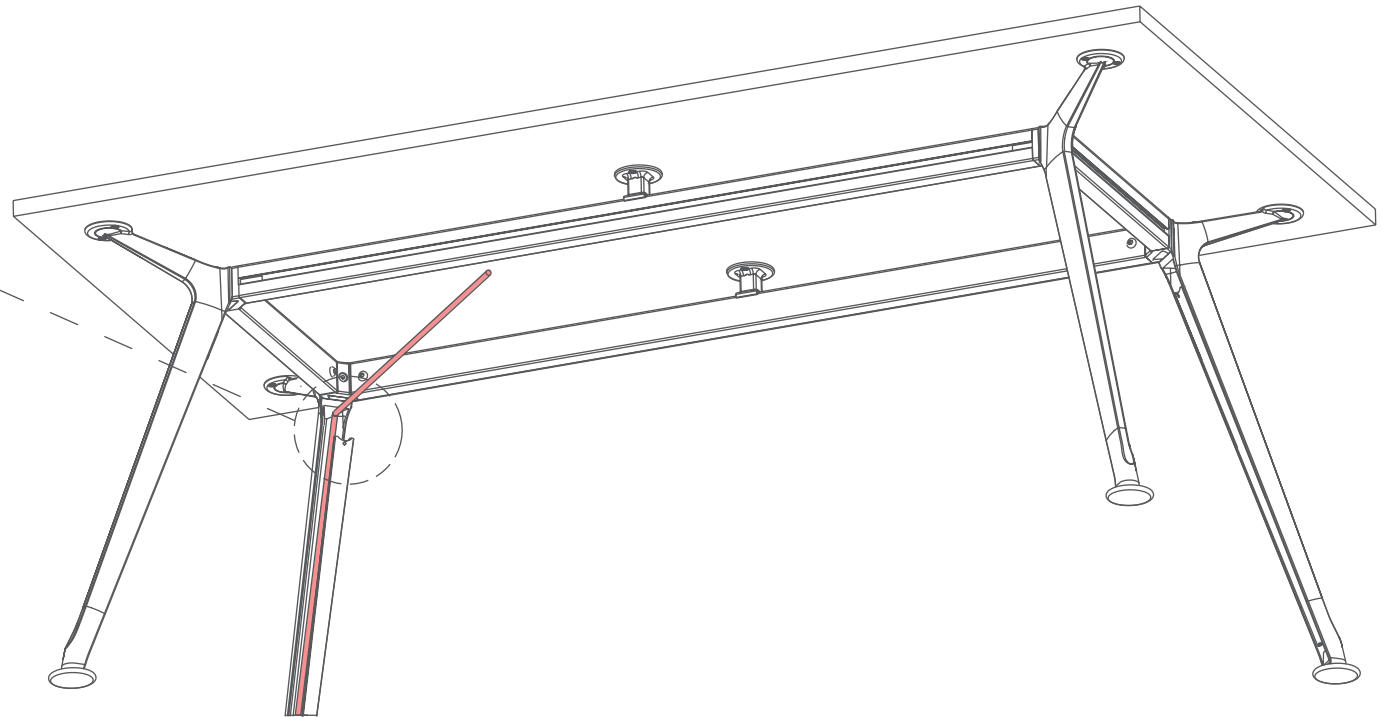
Team 4-Leg Boardroom Table

Assembly Instructions

STEP 6:



Conceal any power box cables using the leg cable covers.



Team 4-Leg Boardroom Table

Assembly Instructions

Complete:

